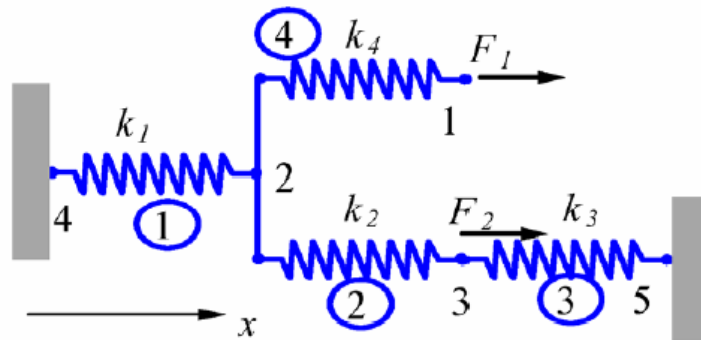


MENG 412  
Homework Assignment 1  
Due Sunday: 14/5/1425 H



**Problem:** For the spring system with arbitrarily numbered nodes and elements, as shown above, find the global stiffness matrix.