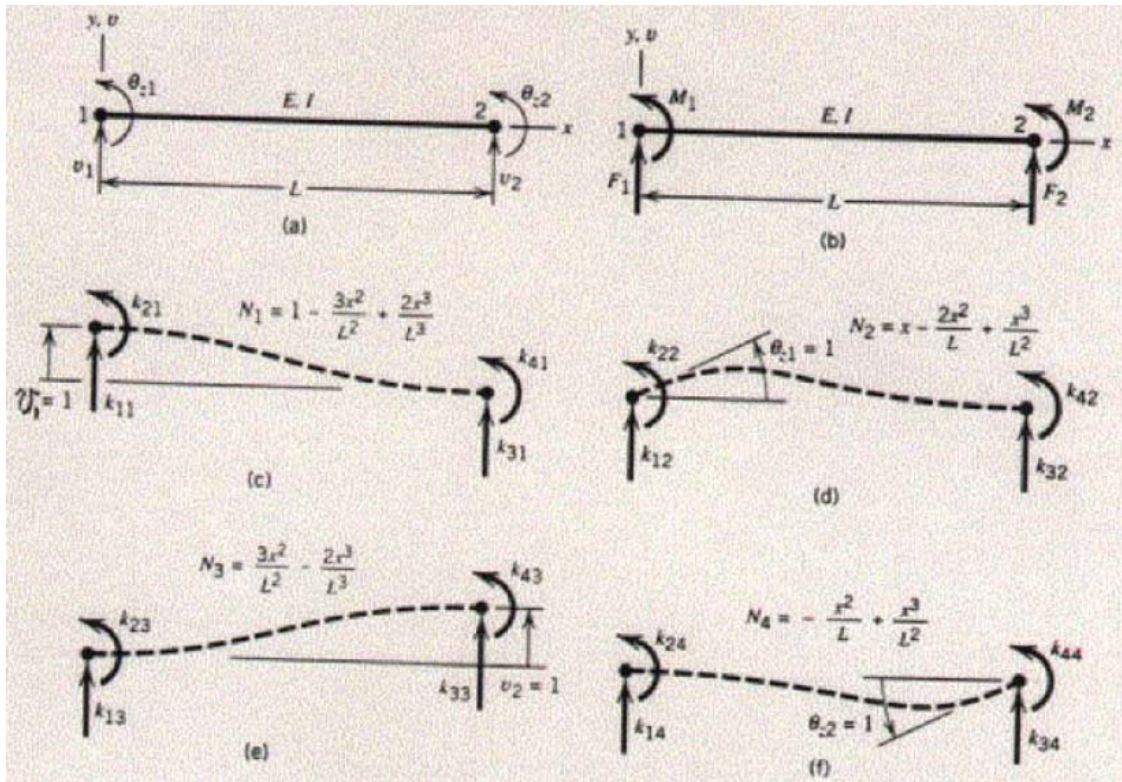
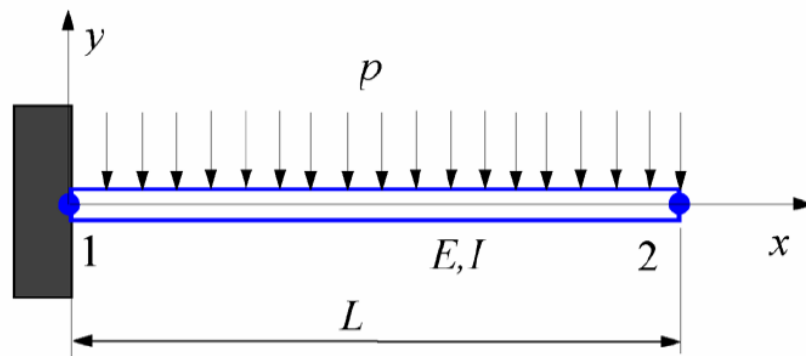


MENG 412  
Homework Assignment 5  
Due Tuesday: 6/6/1425 H

Q1. Show how one can derive the mode shape functions of the beam element using the direct approach.



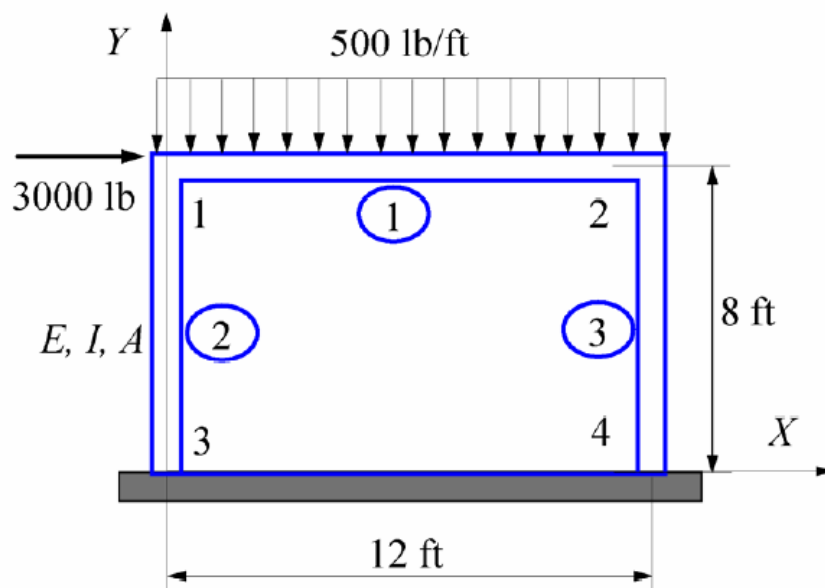
Q2.



*Given:* A cantilever beam with distributed lateral load  $p$  as shown above.

*Find:* The deflection and rotation at the right end, the reaction force and moment at the left end.

Q3.



*Given:*  $E = 30 \times 10^6$  psi,  $I = 65$  in.<sup>4</sup>,  $A = 6.8$  in.<sup>2</sup>

*Find:* Displacements and rotations of the two joints 1 and 2.